



The installation may only be carried out by a technician
Nur ein Techniker kann die Installation durchführen
Instalaci smí provádět pouze technik
Inštaláciu môže vykonať iba technik

This product contains a light source of energy efficiency class F
Dieses Produkt enthält ein Leuchtmittel der Energieeffizienzklasse F
Tento výrobek obsahuje světelný zdroj třídy energetické účinnosti F
Tento výrobok obsahuje svetelný zdroj triedy energetickej účinnosti F



(EN) CAUTION!

Turn off the main power before proceeding with the installation in order to prevent possible shock. The installation may only be carried out by a technician or a qualified person. If the lamp has a lampshade/diffuser, handle it carefully as it is fragile. With an integrated LED light source, only a technician or a qualified person can make the replacement. The manufacturer is not responsible for the incorrect use and assembly of its products.

(DE) ACHTUNG!

Vor der Installation ist es notwendig, den Hauptstromkreis zu unterbrechen, um ein Stromschlag zu vermeiden. Die Installation darf nur von einem Techniker oder einer qualifizierten Person durchgeführt werden. Wenn die Lampe einen Lampenschirm/Diffuser hat, gehen Sie vorsichtig damit um, da sie zerbrechlich ist. Mit einer integrierten LED-Lichtquelle kann nur ein Techniker oder eine qualifizierte Person den Austausch vornehmen. Der Hersteller ist nicht verantwortlich für die fehlerhafte Verwendung und Montage seiner Produkte.

(SK) UPOZORNENIE!

Pred inštaláciou je nevyhnutné odpojiť hlavný elektrický okruh, aby ste predišli zasiahnutiu elektrickým prúdom. Montáž môže vykonať iba kvalifikovaná osoba. V prípade, že má svietidlo tienidlo/difúzor, narábajte s ním opatrne, pretože je krehké. Pri integrovanom LED svetelnom zdroji môže výmenu zrealizovať iba technik alebo kvalifikovaná osoba. Výrobca nenesie zodpovednosť za nesprávne zachádzanie s produktom.

(CZ) UPOZORNĚNÍ!

Před instalací je nutné odpojit hlavní elektrický okruh, abyste předišli zasažení elektrickým proudem. Montáž může provádět pouze kvalifikovaná osoba. V případě, že má svítidlo stínidlo/difuzor, zacházejte s ním opatrně, protože je křehké. Při integrovaném LED světelném zdroji může výměnu zrealizovat pouze technik nebo kvalifikovaná osoba. Výrobce nenesie odpovědnost za nesprávné zacházení s výrobkem.



1 Security related information

- Installation should be carried out in accordance with the latest edition of the I.E.E. Wiring regulations and taking into consideration the latest building regulations.
- Ensure that all electrical connections are tight with no loose strands, including factory made connections.
- Ensure there is adequate free air circulation of at least 100mm around the luminaire. It is the installer's responsibility to consider fire risk and take appropriate precautions.
- A separate enclosure may be required if this unit is to be used in dusty and wet environments.

Q.C. date label, installation in an improper working environment or installation not according to the current edition of the I.E.E. Wiring Regulations . The guarantee is also invalidated if the luminaire has been I.R. tested. Should this product fail during the guarantee period it will be replaced free of charge, subject to correct installation and return of the faulty unit. We do not accept responsibility for any installation costs associated with the replacement of this product. Your statutory rights are not affected. We reserve the right to alter specifications without prior notice.

2 Packing list



The Lamp *1



Installation pack *1



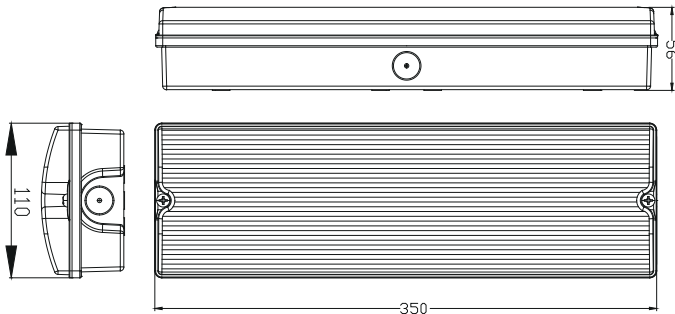
The Legend *1 set



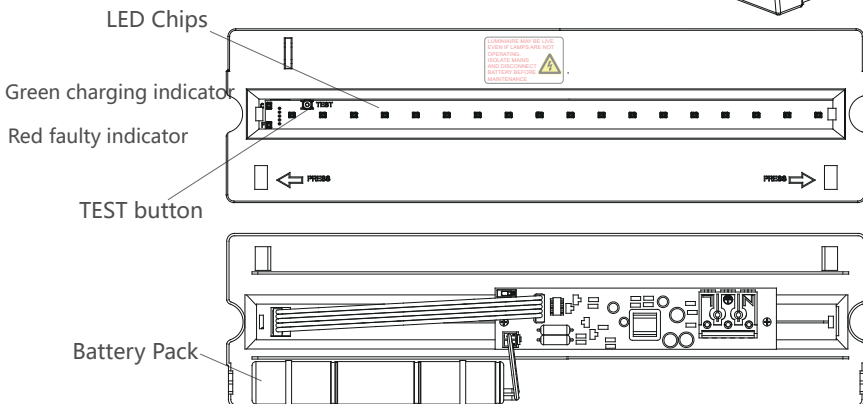
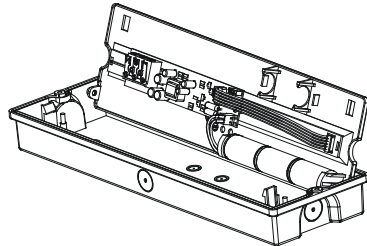
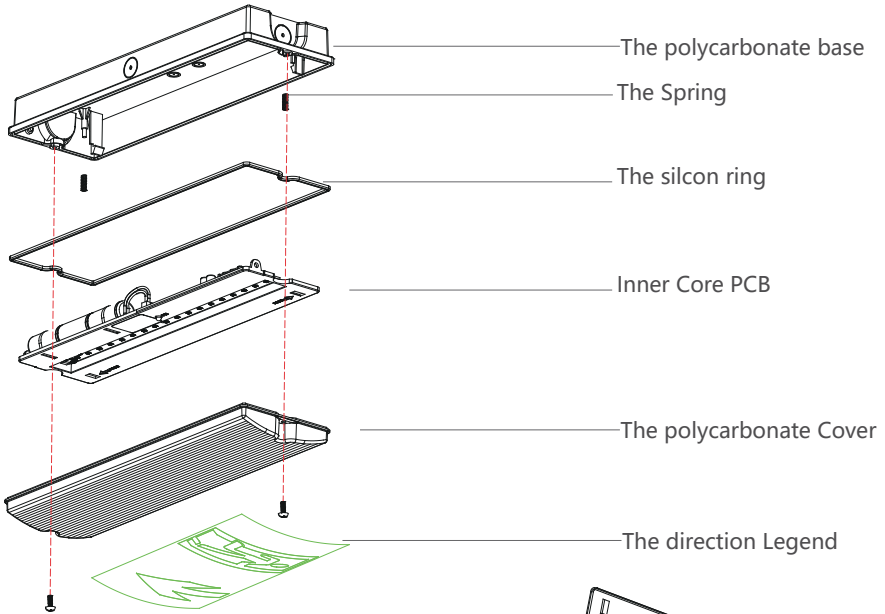
User manual *1

3 Basic Parameters

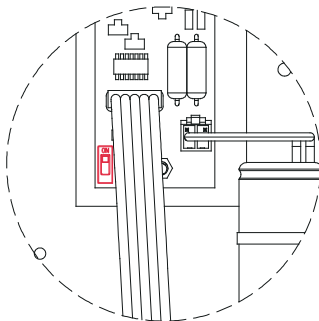
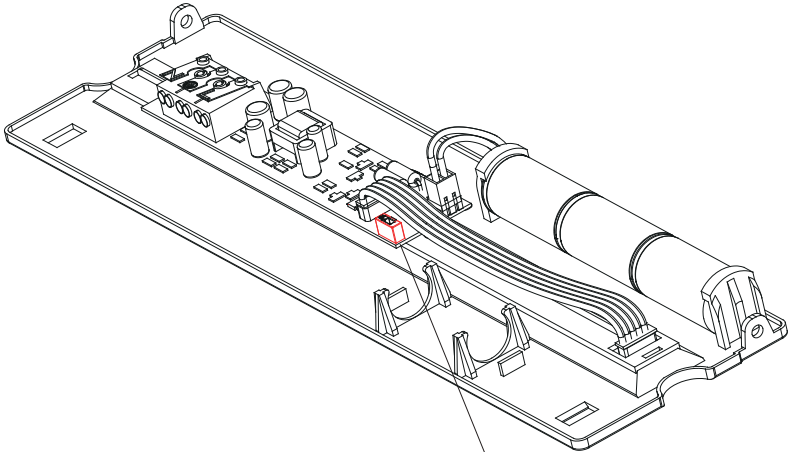
Model	SAFE ON
	ST
Material	100% polycarbonate
LED Chips	18pcs 2835
Input Voltage	AC200- 240V 50/60Hz
Total Input Power	1.5W if non-maintained mode / 3.0W if maintained mode
Luminous Flux In AC mode	OFF if non-maintained mode / 100Lm if maintained mode
Luminous Flux In EM mode	100Lm
Color Rendering Index	>80
CCT	6000 K
Battery pack	3.6V 1.2Ah Ni- Cd
Degree of protection	IP65
Power factor	0.5
Warm up time	<0.1S
LED lifespan	50,000 hrs
Beam angle	120°
Standard	60598- 2- 22:2021 & EN62034
Standard of Legend	ISO7010 & ISO3864- 1/4
TEST	manual test +self- test
Charging indicator	Green
Faulty indicator	RED
Guarantee	5 Years



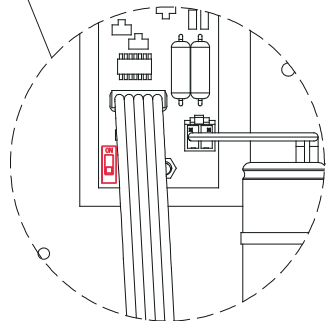
4 General construction



5 Maintained & non-maintained changeover



a) Maintained



b) Non-Maintained

Maintained & Non-maintained work mode

The SAFE ON can work both in maintained and non-maintained mode.



a) Dip switch ON. It works in maintained mode;



b) Or it works in non-maintained mode.

6 Emergency function

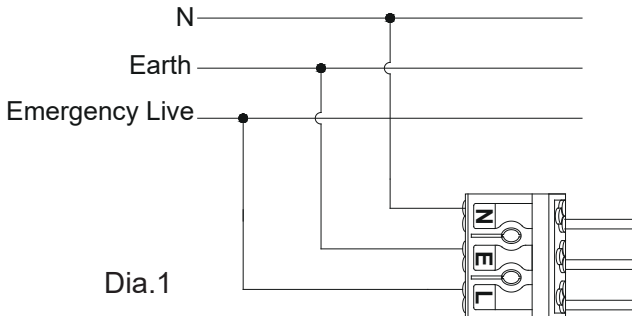
Emergency Technical Data	
Battery Type	Ni-Cd 3,6V 1.2
Battery Charging	60mA, Charging >90% in 24 hours
Discharging	200mA, >3hours autonomy time
Test Button	Included
Self-test	Included
Charging Indicator	Green LED
Faulty Indicator	RED LED
Remote test	Included
Standard	IEC60598-2-22:2021

ADDITIONAL INFORMATION - COMPONENT REPLACEMENT

- The luminaire contains no user replaceable components other than the battery pack contained in emergency versions.
- The battery has a 4 year service life provided it is operated and maintained by regular testing, as detailed in this Usermanual. Failure to maintain or change the battery may result in reduced duration in emergency mode.

Emergency function test before installation

1. Connect the AC cable according to the Dia 1. Keep the Switch Live off, and battery plugged on.
(The green charging indicator on, Faulty indicator off)
2. Press the test button, The charging indicator off, and emergency function activated
3. Unplugged the battery, charging indicator OFF, the faulty indicator flash in 1HZ.



7 Self test system

7.1 Testing (If no failure)

7.1.1. Manual function test.

Active the ④ test button.

- a) The ② Charging indicator OFF.
- b) The Emergency function ON.
- c) The test will cut off the mains.

7.1.2 Monthly test.

Active the ④ test button for 5 second;
Or the lamp installed every 30 days.

- a) The ② Charging indicator will flash in 1Hz for 128s;
- b) The Emergency function ON;
- c) The test will cut off the mains.

7.1.3 Annual test.

Active the ④ test button for 7 second;
Or the lamp installed every 180 days.




- a) The ② Charging indicator will flash in 2Hz for 3hours;
- b) The charging will be cut off & emergency function on 3 hours;
- c) The lamp back to standby mode after test.

② Charging Ind. ④ Test button















③ Faulty Ind.

7.2 Testing (If any failure)

- 7.2.1 Battery failure:  Monitored constantly. The ③ faulty indicator will flash in 1 Hz if the battery failure any time.
- 7.2.2 LED load failure:  If press test button, or the luminary self-monthly test. The ③ faulty indicator will flash in 2 Hz if LED load failure.
- 7.2.3 Duration failure:  Only in Annual self-test. The ③ faulty indicator will turn on constantly if the Battery can not last 3 hours

8 Emergency control logic

The emergency function control logic

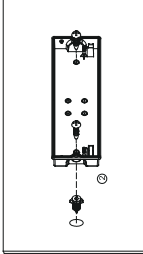
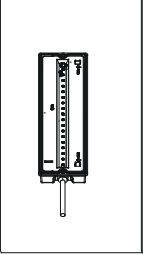
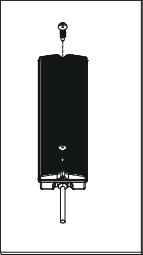

Operation	Charging indicator (Green)		Faulty Indicator (RED)		Emergency LED Maintained mode		Emergency LED Non-Maintained mode	
	1 Second	1 Second	1 Second	1 Second	1 Second	1 Second	1 Second	1 Second
Normal charging	Constantly on		OFF		Constantly on		OFF	
Normal AC Failure	OFF		OFF		Constantly on		Constantly on	
Manual test	OFF		OFF		Constantly on		Constantly on	
Monthly self-test			OFF		Constantly on		Constantly on	
Annual self-test					OFF		Constantly on	
Battery circuit failure	OFF				Constantly on		OFF	
Light source failure	Constantly on						OFF	
Duration test failure	Constantly on		Constantly on		Constantly on		OFF	

9 Installation guide

1. All LED2 LED bulkheads are designed for projects. Only qualified electrician can install or maintain it.
2. The mains have to be off during the installation or maintenance.
3. Keep the product far from heat sources and in a well ventilated area.



Caution

			
<ol style="list-style-type: none"> 1. Mains OFF 2. Knock out the cable hole. 3. Install the base on the wall . 	<ol style="list-style-type: none"> 1. Fix the middle plate 	<ol style="list-style-type: none"> 1. Fix the diffuser. 2. Mains on and test the lamp 	<ol style="list-style-type: none"> 1. Fix the diffuser. 2. Mains on and test the lamp
STEP 1	STEP 3	STEP 4	STEP 4

10 EM inspection record table

Luminaire emergency inspection record

month	Test	First Year		Second Year		Third Year		Fourth Year		Fifth Year	
		Signed	Date	Signed	Date	Signed	Date	Signed	Date	Signed	Date
1	Functional										
2	Functional										
3	Functional										
4	Functional										
5	Functional										
6	1 hour										
7	Functional										
8	Functional										
9	Functional										
10	Functional										
11	Functional										
12	3 hours										

Installed By: Installed Date: Luminaire NO.:

Luminaire Location: Contact details: